



Reduced Swing Door Kitset



ALLEGION™

PIONEERING SAFETY™

# Reduced Swing Door Kitset

Accessibility solutions



# Space saving hardware innovation



Designed specifically for hospitals, nursing homes or buildings with accessibility requirements, the Reduced Swing Door Kitset allows wheelchair users and people with physical difficulties to move through doorways effortlessly.

Featuring an innovative folding design system, the Reduced Swing Door Kitset allows the door to concertina in on itself. This folding action significantly reduces the door swing arc by up to one-third that of a standard door – saving space and improving accessibility for people with disabilities.

## A total solution

Combined with accessible, contemporary Legge door furniture, the Reduced Swing Door Kitset is responsive and light to the touch. Available in single or double action models, the kitset can be retrofitted into existing doorways or confined areas.

The double action model allows for push or pull action from either side of the door, offering the least amount of resistance and optimum ease of use.

## Bariatric applications

Adaptable for bariatric units, an extra wide doorset with additional hinged leaf is available. The door frame is modified with a secondary track intersect, which allows lifting gear to pass through the clear opening.

## Features and benefits

### Two panel articulated door

- Door swing follows an elliptical curve, reducing door swing by one-third of conventional doors

### Fits a standard door frame

- Wall space is not compromised. Reduced door swing uses less floor space – perfect for constrained spaces

### Single or double action door

- Options to suit different applications or requirements

### Locally designed and manufactured

- Designed specifically for Australasian requirements

## Specifications

### Clear opening

- 900mm (excluding door furniture projection)  
1200mm clear opening also available

### Door leaf

- Doors to be supplied by approved door manufacturer
- Kitset suitable for use with solid or carbon core
- Suits 1980mm x 680mm/340mm as standard

### Door jamb

- Grooved or architrave (finished to suit wall thickness)

### Environment

- Available as a 'dry area' or 'wet area' unit

### Wall cavity

- Structural wall opening to be 10mm greater than trim size

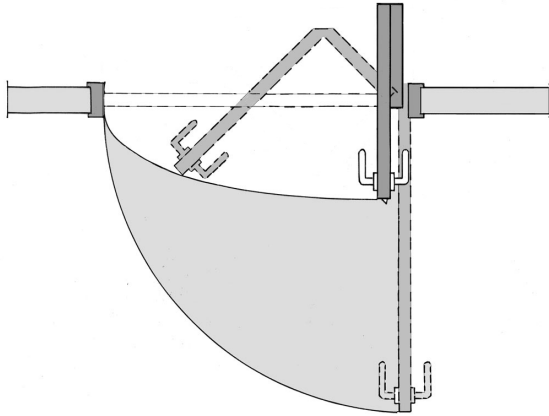
### Handing

- Single action kitset – supplied handed  
Double action kitset – non-handed  
(unless using 800 furniture)

### Hardware

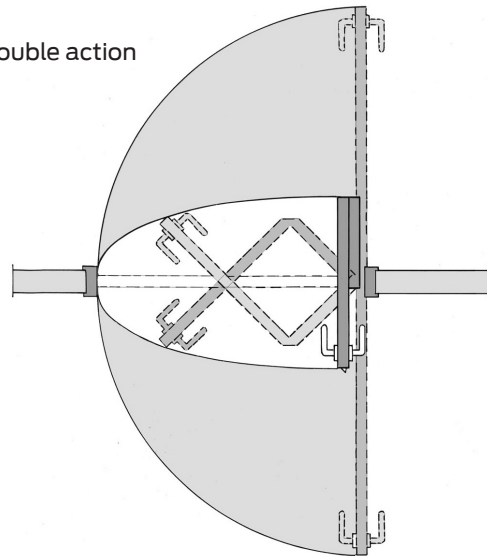
- Legge 990 Series mortice lock or latch  
Legge lever furniture (500, 700 or 800 series)  
as standard

Single action



- The single action kitset is ideal for confined areas and retro fitting into existing doorways

Double action



- The double action kitset has been designed especially with wheelchair users in mind. It allows push or pull action from either side of the door, offering the least resistance and optimum ease of use.

## How does it work?

### ■ Door frame

Integrated track in head of the door frame to house roller guide and top pivot

### ■ Two panel door leaf

Unequal panel widths, with the first panel hung on top and bottom pivots. The second panel houses a top roller guide which fits into the door frame track

### ■ Operating gear

Pivots and rollers provide optimum ease of use through smooth operation and low resistance

### ■ Door furniture

Choose from a range of contemporary Legge levers, including return-to-door accessibility compliant options.

Legge 990 Series mortice lock with corresponding Legge lever meet accessibility requirements of NZS 4121:2001 and AS 1428.1-2001

Contact Allegion for technical support and coordination.

## About Allegion™

Allegion (NYSE: ALLE) is a global pioneer in safety and security, with leading brands like Brio®, FSH®, LCN®, Legge®, Schlage® and Von Duprin®. Focusing on security around the door and adjacent areas, Allegion produces a range of solutions for homes, businesses, schools and other institutions. Allegion is a \$2.4 billion company, with products sold in almost 130 countries.

For more, visit [www.allegion.co.nz](http://www.allegion.co.nz) / [www.allegion.com.au](http://www.allegion.com.au)

Brio ■ <FSH> ■ LCN ■ LEGGE ■ SCHLAGE

### Allegion Australia

Freephone 1800 098 094

Freefax 1800 098 095

Email [auinfo@allegion.com](mailto:auinfo@allegion.com)

[www.allegion.com.au](http://www.allegion.com.au)

### Allegion New Zealand

Freephone 0800 477 869

Freefax 0800 477 868

Email [nzinfo@allegion.com](mailto:nzinfo@allegion.com)

[www.allegion.co.nz](http://www.allegion.co.nz)



© 2018 Allegion

**ALLEGION™**